



Overview: model class **G-ULTIMATE-90**

Safe and approved storage of flammable or toxic gases in working areas – for up to 4 x 50-litre gas cylinders



Maximum fire resistance

- G-ULTIMATE-90 cabinets offer maximum safety when storing gas cylinders – 90 minutes fire resistance



Optimal ventilation that complies with the standard

- tested and certified in accordance with the tightened GS regulations
- complete and even ventilation in the whole interior of the cabinet
- pressure drop values of all models < 150 Pa



Space-saving talent

- unique on the market: gas cylinder cabinet with a 60 cm width for the storage of two 50 litre steel gas cylinders or two 40 litre aluminium gas cylinders with a diameter of 230 mm

Further features of this model class



Locking

- doors lockable with profile cylinder lock (integrated in the door handle)
- cabinets can be integrated by the customer in an existing master key system



Pipe lead-throughs

- large area for flexible lead-through possibilities on the top of the cabinet
- no additional insulation of piping necessary



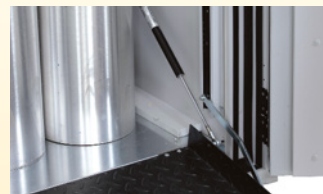
Comfortable adjusting possibilities

- integrated adjusting aids in the cabinet base ensure a fast and effective compensation for uneven floor of up to 10 mm

Possible interior equipment



- **standard interior equipment** complete with mounting rails, cylinder retainer and matching tension belts and rolling ramp



- **comfort interior equipment** complete with mounting rails, cylinder retainer and matching tension belts and rolling ramp with pneumatic damper



- **lateral cylinder retainer** for two 10-litre cylinders, alternatively in height-adjustable version (no tools required)



- **shelves** in different versions, can also be installed at an angle for the storage of small gas cylinders



Safety storage cabinets for the storage of pressurised gas cylinders in working areas according to EN 14470-2 and TRGS 510



- **fire resistance 90 minutes** (type G90), type-tested in accordance with EN 14470-2



- **GS-tested** (EN 14470-1, EN 14727, document EK5/AK4 09-10, ProdSG)
- **50,000** wear-free opening and closing actions
- test basis: all cabinets of this model group correspond to the requirements of the Equipment and Product Safety Act (§7 Para. 1) with respect to the guarantee of safety and health



- **excellent products with special manufacturer warranty**
- extended **manufacturer warranty of up to 5 years** in combination with the asecos BASICPlus tariff



G-LINE



G-ULTIMATE-90 ◀ 140 cm ▶



Safe and approved storage of flammable or toxic gases in working areas – for up to 4 x 50-litre gas cylinders

Function / construction:

- **no unauthorised use:** doors lockable with profile cylinder (integration in an existing locking system possible)
- **easy alignment:** adjusting aids to compensate for uneven floor
- **easy mounting of connecting pipes and gas fittings:** large interior height (1890 mm), many lead-through possibilities on the top of the cabinet
- **ventilation:** integrated air ducts ready for connection (DN 75) to a technical exhaust, even ventilation inside the cabinet
- **tested and certified:** according to the stricter GS principles

Available equipment

- **comfort interior equipment** – complete with mounting rails, rolling ramp (L = 350 mm) with pneumatic damper, cylinder retainer and matching tension belts
- **standard interior equipment** – complete with mounting rails, rolling ramp, cylinder retainer and matching tension belts
- **cylinder retainer** – variable installation in the cabinet, flexibly adjustable in depth, across the entire width of the cabinet
- **lateral cylinder retainer** – for two 10-litre cylinders, alternatively in height adjustable version (no tools required)



Gas cylinder cabinet G-ULTIMATE-90 model G90.205.140

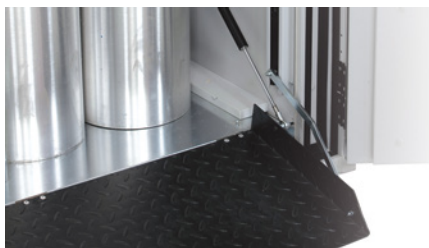
in Light grey (RAL 7035), interior equipment with 1 x standard interior equipment for gas cylinders (sheet steel galvanised and powder coated)

Order No. 30641-001-30642



Lateral cylinder retainer

For two 10-litre cylinders, alternatively in height-adjustable version (no tools required)



Comfort interior equipment

Extremely flat rolling angle, optimum slip resistance, folding out almost weightlessly



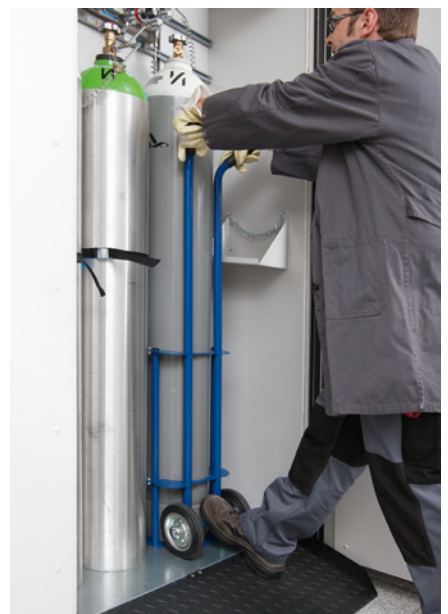
Complete ventilation

In the interior from the bottom to the top



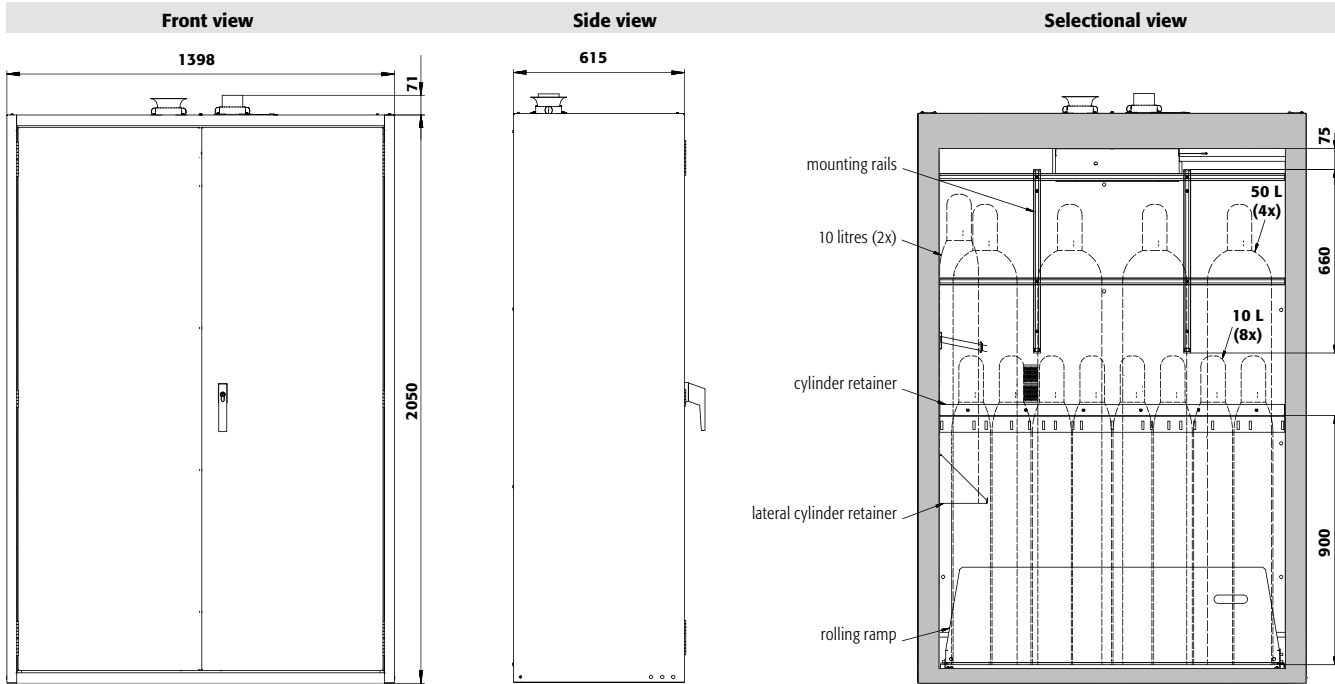
Cylinder lock integrated in the door handle

The cabinet can be integrated into a locking system



Gas cylinder trolley

Direct placement of gas cylinders into asecos gas cylinder cabinets

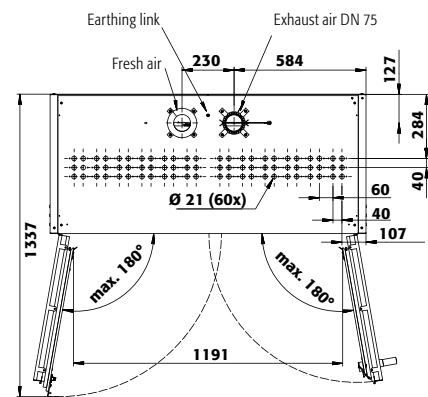


Technical data

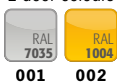
External dimensions W x D x H	mm	1398 x 615 x 2050
Internal dimensions W x D x H	mm	1245 x 400 x 1858
Weight without interior equip.	kg	690
Extraction air	DN	75
Air change 10 times	m ³ /h	9
Diff. pressure (air change 10 times)	Pa	5
Diff. pressure (air change 10 times EK5/AK4)	Pa	5
Air change 120 times	m ³ /h	111
Diff. pressure (air change 120 times)	Pa	54
Diff. pressure (air change 120 times EK5/AK4)	Pa	143
Maximum load	kg	600
Distributed load	kg/m ²	571
50-litre gas cylinders	piece	4
Lead-through possibilities		72

G90.205.140

Top view



2 door colours are available **at no extra cost**:



Order example - how to order correctly



	Model	Information / equipment	Order No.
	G90.205.140	without interior equipment	30641
	Body colour	Door colour	Order No.
	Light grey RAL 7035	Light grey RAL 7035	001 4
	Warning yellow RAL 1004	Warning yellow RAL 1004	002 4
	Interior equipment packages (can only be ordered in combination with the cabinet)	Material	Order No.
	1x standard interior equipment for gas cylinders	sheet steel galvanised and powder coated	30642 4
	1x comfort interior equipment for gas cylinders	sheet steel galvanised and powder coated	30643 4
	Interior equipment	Material	W x D x H (mm)
	shelf	sheet steel powder-coated RAL 7035	1235 x 241 x 25*
	shelf, inclined for storage of small bottles	sheet steel powder-coated RAL 7035	1236 x 377 x 25*
	grid, as storage level	steel galvanised	1233 x 280 x 30
	cylinder retainer on the sidewall	sheet steel powder-coated RAL 7035	350 x 175 x 175
	cylinder retainer on the sidewall, height adjustable without tools	sheet steel powder-coated RAL 7035	350 x 175 x 175
	securing chain, in place of tension belts	steel galvanised	
	document holder, DIN A5	polystyrene	
	Accessories		Order No.
	Ermeto coupling		5981 2
	tension belt, additional		13181 2
	cylinder retainer, profile as a cylinder retainer incl. 2 tension belts and mounting material flexible mounting in height at the rear wall		30650 2
	preparation for lead-through with female thread		30649 2
	gas cylinder trolley		26294 2

* W x D usable storage space / 1) load capacity (kg), 2) capacity (litres), 3) maximum container volume inside the cabinet (litres)



G-ULTIMATE-90 ◀ 120 cm ▶



Gas cylinder cabinet G-ULTIMATE-90 model G90.205.120

in Light grey (RAL 7035), interior equipment with 1 x comfort interior equipment for gas cylinders (sheet steel galvanised and powder coated)

Order No. 30657-001-30659

Safe and approved storage of flammable or toxic gases in working areas – for up to 4 x 50-litre gas cylinders

Function / construction:

- **no unauthorised use:** doors lockable with profile cylinder (integration in an existing locking system possible)
- **easy alignment:** adjusting aids to compensate for uneven floor
- **easy mounting of connecting pipes and gas fittings:** large interior height (1890 mm), many lead-through possibilities on the top of the cabinet
- **ventilation:** integrated air ducts ready for connection (DN 75) to a technical exhaust, even ventilation inside the cabinet
- **tested and certified:** according to the stricter GS principles

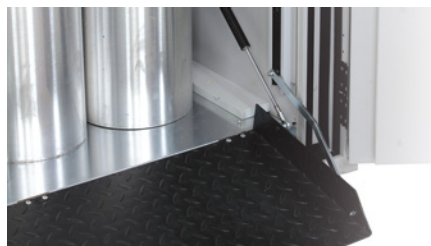
Available equipment

- comfort interior equipment – complete with mounting rails, rolling ramp (L = 350 mm) with pneumatic damper, cylinder retainer and matching tension belts
- standard interior equipment – complete with mounting rails, rolling ramp, cylinder retainer and matching tension belts
- cylinder retainer – variable installation in the cabinet, flexibly adjustable in depth, across the entire width of the cabinet
- lateral cylinder retainer – for two 10-litre cylinders, alternatively in height adjustable version (no tools required)



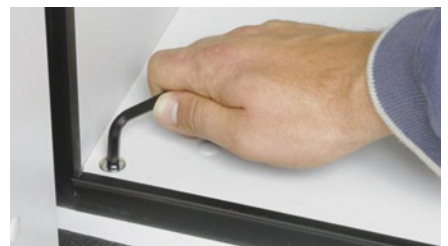
Lateral cylinder retainer

For two 10-litre cylinders, alternatively in height-adjustable version (no tools required)



Comfort interior equipment

Extremely flat rolling angle, optimum slip resistance, folding out almost weightlessly



Adjusting aids

To compensate for uneven floor and an easy alignment



Complete ventilation

In the interior from the bottom to the top



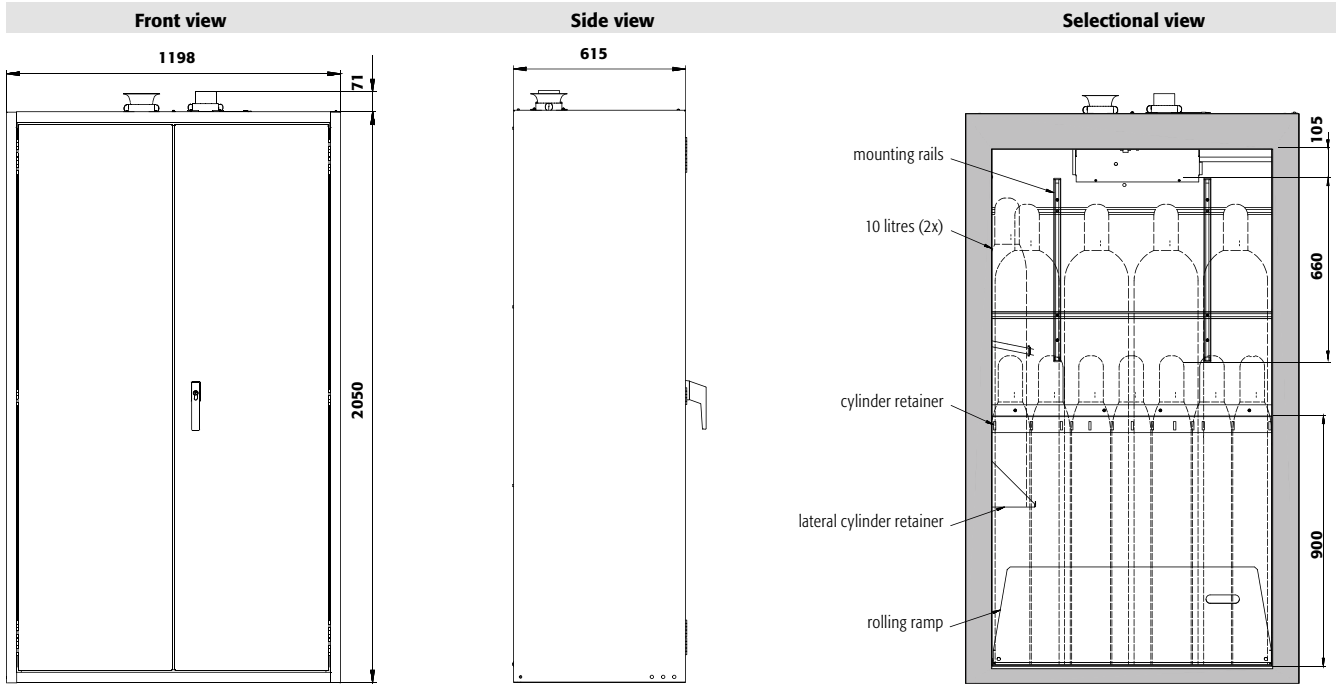
Cylinder lock integrated in the door handle

The cabinet can be integrated into a locking system



Large interior height

Easy and effective mounting of the connecting pipes and gas equipment in the cabinet

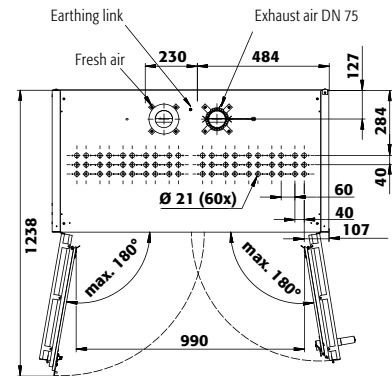


Technical data

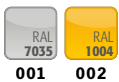
External dimensions W x D x H	mm	1198 x 615 x 2050
Internal dimensions W x D x H	mm	1045 x 400 x 1858
Weight without interior equip.	kg	610
Extraction air	DN	75
Air change 10 times	m ³ /h	8
Diff. pressure (air change 10 times)	Pa	5
Diff. pressure (air change 10 times EK5/AK4)	Pa	5
Air change 120 times	m ³ /h	93
Diff. pressure (air change 120 times)	Pa	49
Diff. pressure (air change 120 times EK5/AK4)	Pa	103
Maximum load	kg	600
Distributed load	kg/m ²	625
50-litre gas cylinders	piece	4
Lead-through possibilities		60

G90.205.120

Top view



2 door colours are available **at no extra cost**:



Order example - how to order correctly



	Model G90.205.120	Information / equipment without interior equipment	Order No. 30657
	Body colour Light grey RAL 7035 Warning yellow RAL 1004	Door colour Light grey RAL 7035 Warning yellow RAL 1004	Order No. 001 4 002 4
	Interior equipment packages (can only be ordered in combination with the cabinet)		Order No.
	1x standard interior equipment for gas cylinders	sheet steel galvanised and powder coated	30658 4
	1x comfort interior equipment for gas cylinders	sheet steel galvanised and powder coated	30659 4
	Interior equipment	Material	W x D x H (mm)
	shelf	sheet steel powder-coated RAL 7035	1035 x 241 x 25* 75.00
	shelf, inclined for storage of small bottles	sheet steel powder-coated RAL 7035	1040 x 432 x 30* 75.00
	grid, as storage level	steel galvanised	1033 x 280 x 30 180.00
	cylinder retainer on the sidewall	sheet steel powder-coated RAL 7035	350 x 175 x 175 30647 2
	cylinder retainer on the sidewall, height adjustable without tools	sheet steel powder-coated RAL 7035	350 x 175 x 175 30648 2
	securing chain	steel galvanised	30662 2
	document holder, DIN A5	polystyrene	30793 2
	Accessories		Order No.
	Ermeto coupling		5981 2
	tension belt, additional		13181 2
	cylinder retainer, profile as a cylinder retainer incl. 2 tension belts and mounting material flexible mounting in height at the rear wall		30650 2
	preparation for lead-through with female thread		30649 2
	gas cylinder trolley		26294 2

* W x D usable storage space / 1) load capacity (kg), 2) capacity (litres), 3) maximum container volume inside the cabinet (litres)



G-ULTIMATE-90 ◀ 090 cm ▶



Safe and approved storage of flammable or toxic gases in working areas – for up to 3 x 50-litre gas cylinders

Function / construction:

- **no unauthorised use:** doors lockable with profile cylinder (integration in an existing locking system possible)
- **easy alignment:** adjusting aids to compensate for uneven floor
- **easy mounting of connecting pipes and gas fittings:** large interior height (1890 mm), many lead-through possibilities on the top of the cabinet
- **ventilation:** integrated air ducts ready for connection (DN 75) to a technical exhaust, even ventilation inside the cabinet
- **tested and certified:** according to the stricter GS principles

Available equipment

- comfort interior equipment – complete with mounting rails, rolling ramp (L = 350 mm) with pneumatic damper, cylinder retainer and matching tension belts
- standard interior equipment – complete with mounting rails, rolling ramp, cylinder retainer and matching tension belts
- cylinder retainer – variable installation in the cabinet, flexibly adjustable in depth, across the entire width of the cabinet
- lateral cylinder retainer – for two 10-litre cylinders, alternatively in height adjustable version (no tools required)

Gas cylinder cabinet G-ULTIMATE-90 model G90.205.090

in Light grey (RAL 7035), interior equipment with 1 x standard interior equipment for gas cylinders (sheet steel galvanised and powder coated)

Order No. 30667-001-30668



Adjusting aids

To compensate for uneven floor and an easy alignment



Lateral cylinder retainer

For two 10-litre cylinders, alternatively in height-adjustable version (no tools required)



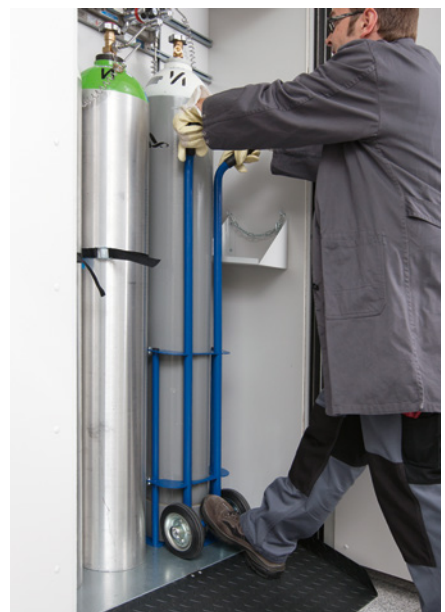
Large interior height

Easy and effective mounting of the connecting pipes and gas equipment in the cabinet



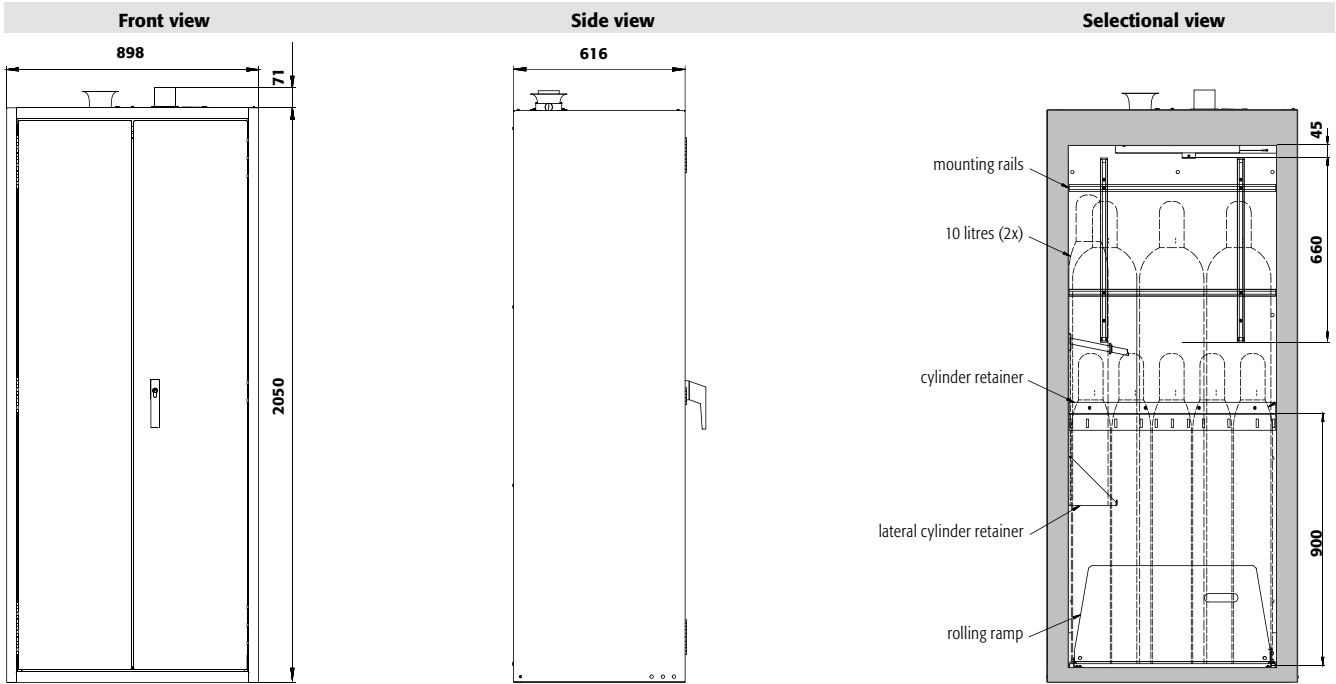
Complete ventilation

In the interior from the bottom to the top



Gas cylinder trolley

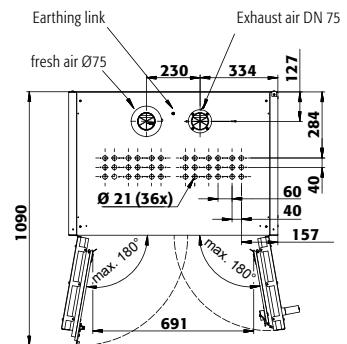
Direct placement of gas cylinders into asecos gas cylinder cabinets



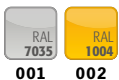
Technical data

		G90.205.090	
External dimensions W x D x H	mm	898 x 615 x 2050	
Internal dimensions W x D x H	mm	745 x 425 x 1858	
Weight without interior equip.	kg	490	
Extraction air	DN	75	
Air change 10 times	m ³ /h	6	
Diff. pressure (air change 10 times)	Pa	5	
Diff. pressure (air change 10 times EK5/AK4)	Pa	5	
Air change 120 times	m ³ /h	66	
Diff. pressure (air change 120 times)	Pa	42	
Diff. pressure (air change 120 times EK5/AK4)	Pa	147	
Maximum load	kg	600	
Distributed load	kg/m ²	752	
50-litre gas cylinders	piece	3	
Lead-through possibilities		36	

Top view



2 door colours are available **at no extra cost**:



Order example - how to order correctly



Model	Information / equipment	Order No.		
G90.205.090	without interior equipment	30667		
Body colour	Door colour	Order No.		
Light grey RAL 7035	Light grey RAL 7035	001 4		
Warning yellow RAL 1004	Warning yellow RAL 1004	002 4		
Interior equipment packages (can only be ordered in combination with the cabinet)		Order No.		
1x standard interior equipment for gas cylinders		30668 4		
1x comfort interior equipment for gas cylinders		30669 4		
Interior equipment	Material	W x D x H (mm)	1) 2) 3)	Order No.
shelf	sheet steel powder-coated RAL 7035	735 x 241 x 25*	75.00	30670 2
shelf, inclined for storage of small bottles	sheet steel powder-coated RAL 7035	740 x 432 x 30*	75.00	30787 2
grid, as storage level	steel galvanised	733 x 280 x 30	180.00	30671 4
cylinder retainer on the sidewall	sheet steel powder-coated RAL 7035	350 x 175 x 175		30647 2
cylinder retainer on the sidewall, height adjustable without tools	sheet steel powder-coated RAL 7035	350 x 175 x 175		30648 2
securing chain, in place of tension belts	steel galvanised			30672 2
document holder, DIN A5	polystyrene			30793 2
Accessories		Order No.		
Ermeto coupling		5981 2		
tension belt, additional		13181 2		
cylinder retainer, profile as a cylinder retainer incl. 2 tension belts and mounting material flexible mounting in height at the rear wall		30650 2		
preparation for lead-through with female thread		30649 2		
gas cylinder trolley		26294 2		

* W x D usable storage space / 1) load capacity (kg), 2) capacity (litres), 3) maximum container volume inside the cabinet (litres)



G-ULTIMATE-90 ◀ 060 cm ▶



Safe and approved storage of flammable or toxic gases in working areas – for up to 2 x 50-litre gas cylinders

Function / construction:

- **no unauthorised use:** door lockable with profile cylinder (integration in an existing locking system possible)
- **easy alignment:** adjusting aids to compensate for uneven floor
- **easy mounting of connecting pipes and gas fittings:** large interior height (1890 mm), many lead-through possibilities on the top of the cabinet
- **ventilation:** integrated air ducts ready for connection (DN 75) to a technical exhaust, even ventilation inside the cabinet
- **tested and certified:** according to the stricter GS principles

Available equipment

- standard interior equipment – complete with mounting rails, rolling ramp, cylinder retainer and matching tension belts



Gas cylinder cabinet

G-ULTIMATE-90 model G90.205.060.2F

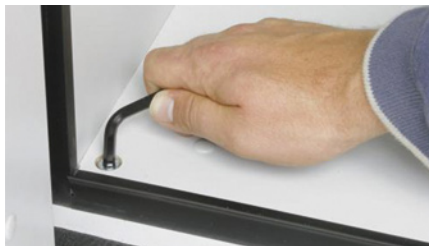
in Light grey (RAL 7035), interior equipment with 1 x standard interior equipment for gas cylinders (sheet steel galvanised and powder coated)

Order No. 30678-001-30682



Lateral cylinder retainer

For two 10-litre cylinders, alternatively in height-adjustable version (no tools required)



Adjusting aids

To compensate for uneven floor and an easy alignment



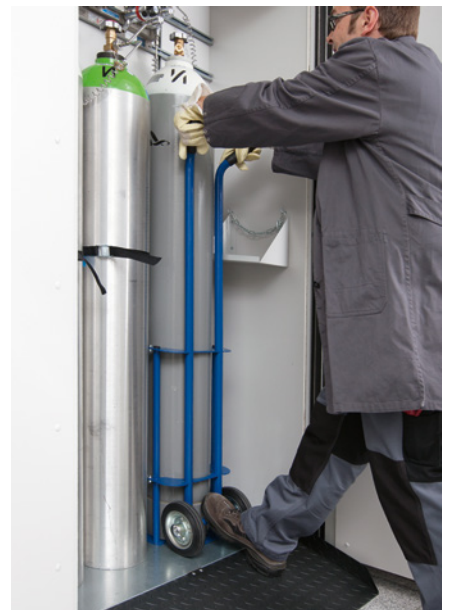
Cylinder lock integrated in the door handle

The cabinet can be integrated into a locking system



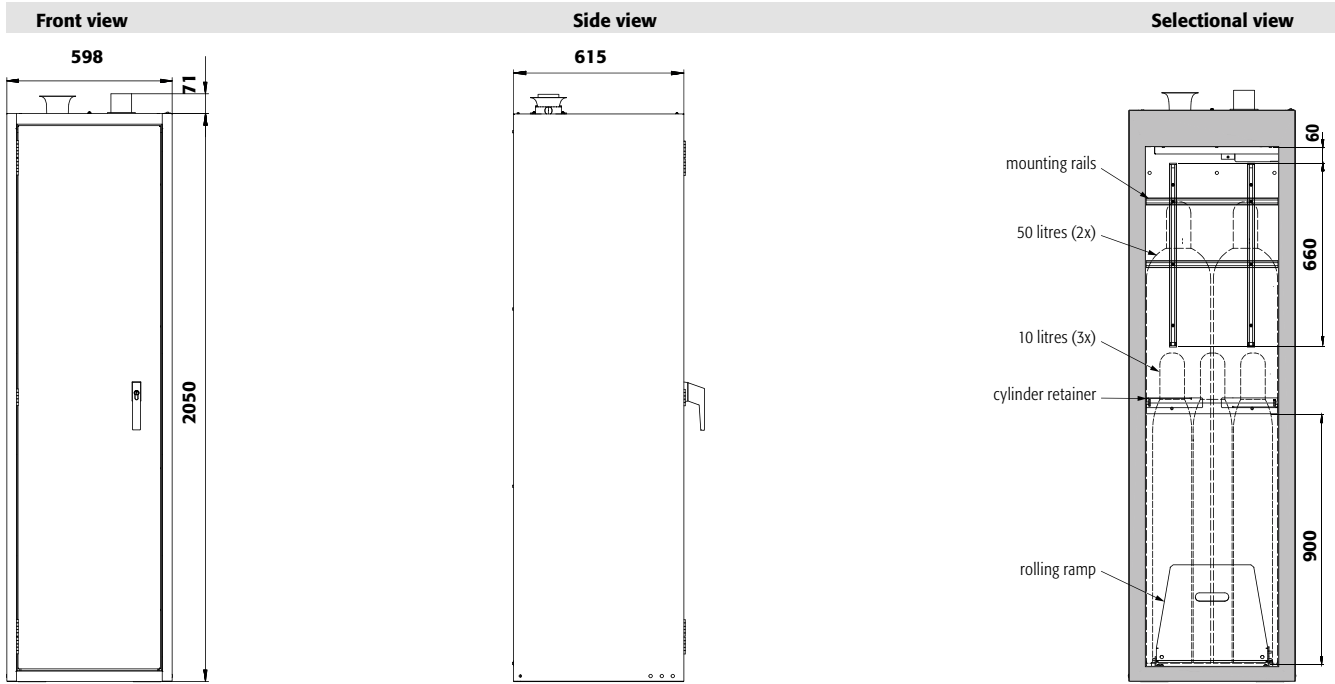
Large interior height

Easy and effective mounting of the connecting pipes and gas equipment in the cabinet



Gas cylinder trolley

Direct placement of gas cylinders into asecos gas cylinder cabinets

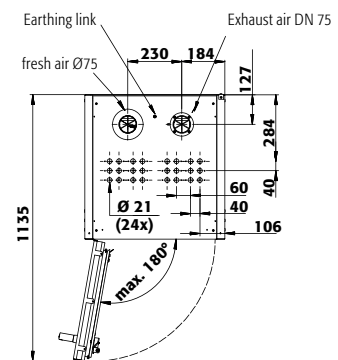


Technical data

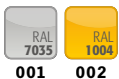
External dimensions W x D x H	mm	598 x 615 x 2050
Internal dimensions W x D x H	mm	477 x 425 x 1858
Weight without interior equip.	kg	365
Extraction air	DN	75
Air change 10 times	m ³ /h	4
Diff. pressure (air change 10 times)	Pa	5
Diff. pressure (air change 10 times EK5/AK4)	Pa	5
Air change 120 times	m ³ /h	45
Diff. pressure (air change 120 times)	Pa	45
Diff. pressure (air change 120 times EK5/AK4)	Pa	76
Maximum load	kg	600
Distributed load	kg/m ²	999
50-litre gas cylinders	piece	2
Lead-through possibilities		24

G90.205.060.2F

Top view



2 door colours are available **at no extra cost**:



Order example - how to order correctly



Model	Information / equipment	Order No.
G90.205.060.2F	without interior equipment, for 2x 50 liter cylinders, left hinged	30678
G90.205.060.2FR	without interior equipment, for 2x 50 liter cylinders, right hinged	30679
Body colour	Door colour	Order No.
Light grey RAL 7035	Light grey RAL 7035	001 4
Warning yellow RAL 1004	Warning yellow RAL 1004	002 10
Interior equipment packages (can only be ordered in combination with the cabinet)	Material	Order No.
1x standard interior equipment for gas cylinders	sheet steel galvanised and powder coated	30682 4
Accessories	Order No.	
Ermeto coupling	5981 2	
preparation for lead-through with female thread	30649 2	
gas cylinder trolley	26294 2	

* W x D usable storage space / 1) load capacity (kg), 2) capacity (litres), 3) maximum container volume inside the cabinet (litres)



G-ULTIMATE-90 ◀ 060 cm ▶



Gas cylinder cabinet G-ULTIMATE-90 model G90.205.060

in Light grey (RAL 7035), interior equipment with 1 x standard interior equipment for gas cylinders (sheet steel galvanised and powder coated)

Order No. 30676-001-30680

Safe and approved storage of flammable or toxic gases in working areas – for up to 1 x 50-litre gas cylinders or 2 x 10-litre gas cylinders

Function / construction:

- **no unauthorised use:** door lockable with profile cylinder (integration in an existing locking system possible)
- **easy alignment:** adjusting aids to compensate for uneven floor
- **easy mounting of connecting pipes and gas fittings:** large interior height (1890 mm), many lead-through possibilities on the top of the cabinet
- **ventilation:** integrated air ducts ready for connection (DN 75) to a technical exhaust, even ventilation inside the cabinet
- **tested and certified:** according to the stricter GS principles

Available equipment

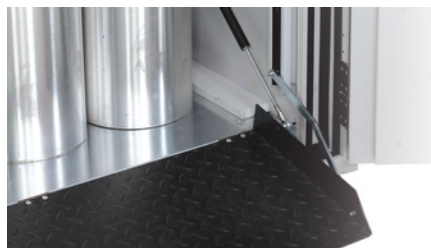
- comfort interior equipment – complete with mounting rails, rolling ramp (L = 350 mm) with pneumatic damper, cylinder retainer and matching tension belts
- standard interior equipment – complete with mounting rails, rolling ramp, cylinder retainer and matching tension belts
- cylinder retainer – variable installation in the cabinet, flexibly adjustable in depth, across the entire width of the cabinet
- lateral cylinder retainer – for two 10-litre cylinders, alternatively in height adjustable version (no tools required)



Gas cylinder cabinet G-ULTIMATE-90 model G90.145.060

in Light grey (RAL 7035), interior equipment with 1 x standard interior equipment for gas cylinders (sheet steel galvanised and powder coated)

Order No. 30689-001-30691



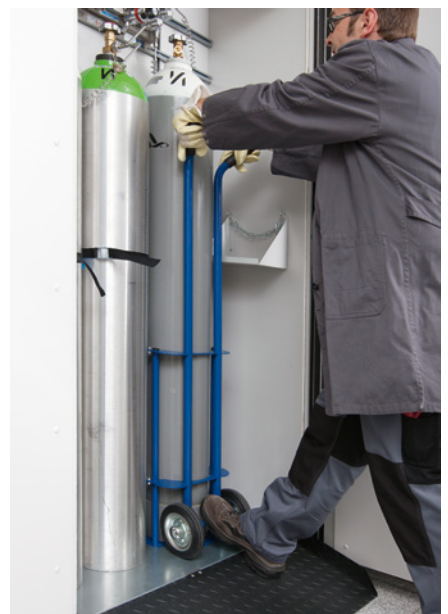
Comfort interior equipment

Extremely flat rolling angle, optimum slip resistance, folding out almost weightlessly



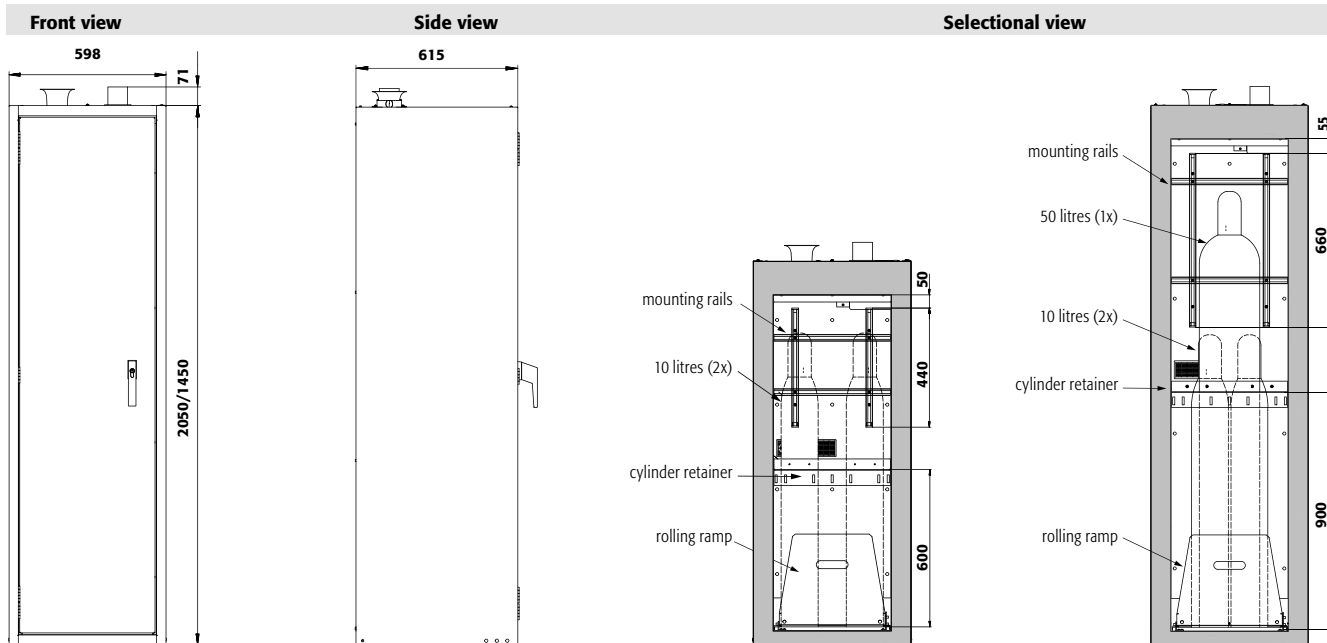
Cylinder lock integrated in the door handle

The cabinet can be integrated into a locking system

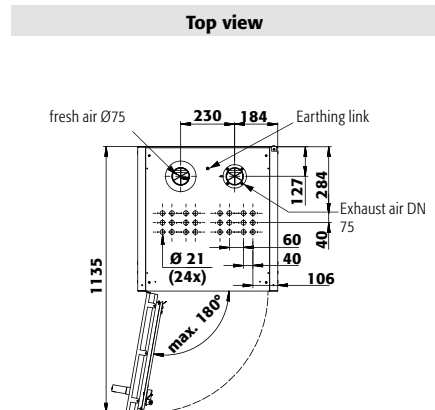


Gas cylinder trolley

Direct placement of gas cylinders into asecos gas cylinder cabinets



Technical data		G90.205.060	G90.145.060
External dimensions W x D x H	mm	598 x 615 x 2050	598 x 615 x 1450
Internal dimensions W x D x H	mm	445 x 425 x 1858	445 x 425 x 1246
Weight without interior equip.	kg	365	278
Extraction air	DN	75	75
Air change 10 times	m ³ /h	4	2
Diff. pressure (air change 10 times)	Pa	5	5
Diff. pressure (air change 10 times EK5/AK4)	Pa	5	5
Air change 120 times	m ³ /h	42	28
Diff. pressure (air change 120 times)	Pa	95	18
Diff. pressure (air change 120 times EK5/AK4)	Pa	85	42
Maximum load	kg	600	600
Distributed load	kg/m ²	999	909
50-litre gas cylinders	piece	1	
Lead-through possibilities		24	24



Model	Information / equipment	Order No.
G90.205.060	without interior equipment, left hinged	30676
G90.145.060	without interior equipment, left hinged	30689
G90.205.060.R	without interior equipment, right hinged	30677
G90.145.060.R	without interior equipment, right hinged	30690

Body colour	Door colour	Order No.
Light grey RAL 7035	Light grey RAL 7035	001 4
Warning yellow RAL 1004	Warning yellow RAL 1004	002 10

Interior equipment packages (can only be ordered in combination with the cabinet) G90.205.060(R)	Material	Order No.
1x standard interior equipment for gas cylinders	sheet steel galvanised and powder coated	30680 4
1x comfort interior equipment for gas cylinders	sheet steel galvanised and powder coated	30681 6

Interior equipment packages (can only be ordered in combination with the cabinet) G90.145.060(R)	Material	Order No.
1x standard interior equipment for gas cylinders	sheet steel galvanised and powder coated	30691 4

Interior equipment	Material	W x D x H (mm)	1) 2) 3)	Order No.
shelf	sheet steel powder-coated RAL 7035	435 x 241 x 25*	75.00	30683 2
shelf, inclined for storage of small bottles	sheet steel powder-coated RAL 7035	440 x 432 x 30*	75.00	30788 2
cylinder retainer on the sidewall	sheet steel powder-coated RAL 7035	350 x 175 x 175		30647 2
cylinder retainer on the sidewall, height adjustable without tools	sheet steel powder-coated RAL 7035	350 x 175 x 175		30648 2

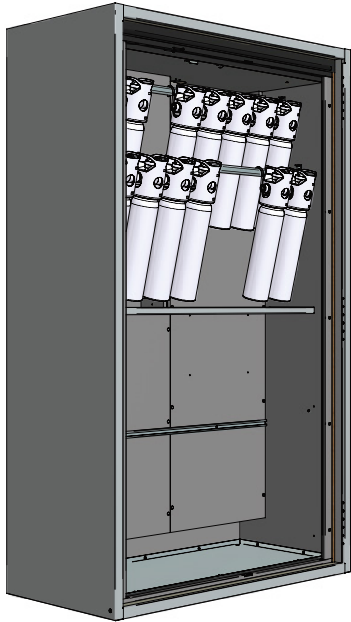
Interior equipment	Material	W x D x H (mm)	1) 2) 3)	Order No.
securing chain, in place of tension belts	steel galvanised			30684 2

Accessories	Order No.
Ermeto coupling	5981 2
tension belt, additional	13181 2
cylinder retainer, profile as a cylinder retainer incl. 2 tension belts and mounting material flexible mounting in height at the rear wall	30650 2
preparation for lead-through with female thread	30649 2
document holder, DIN A5	30793 2
gas cylinder trolley	26294 2

* W x D usable storage space / 1) load capacity (kg), 2) capacity (litres), 3) maximum container volume inside the cabinet (litres)

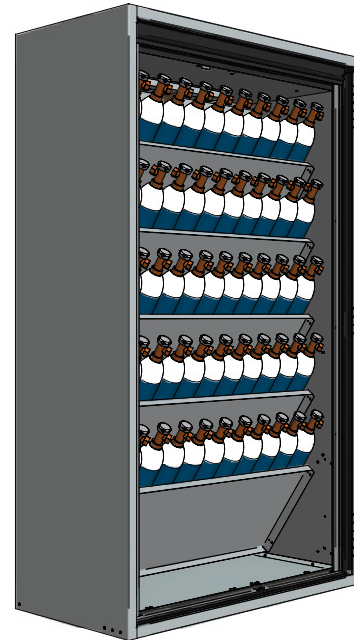


Model class G-ULTIMATE-90 - special solutions



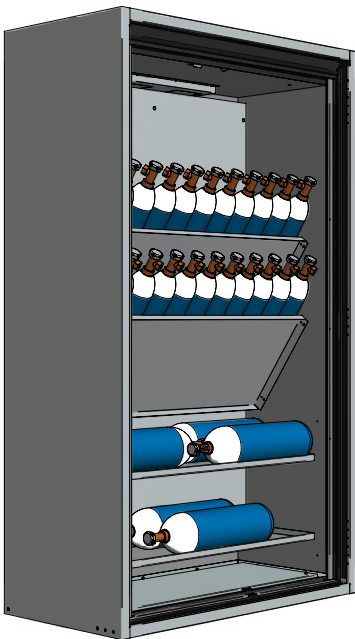
Suspended storage

of special gas cylinders, taking model G90.205.120 as an example



Storage of 2-litre cylinders (max. number)

taking model G90.205.120 as an example, with 5 inclined shelves
(Order No. 30771)



Combined storage

of 3 and 5-litre cylinders, taking model G90.205.120 as an example,
with 2 inclined shelves (Order No. 30771) and 2 shelves
(Order No. 30660)



Combined storage

of 2 and 10-litre cylinders, taking model G90.205.060.R as an example,
and 1 inclined shelf with standard interior equipment (Order No. 30782)
and 1 inclined shelf (Order No. 30788)



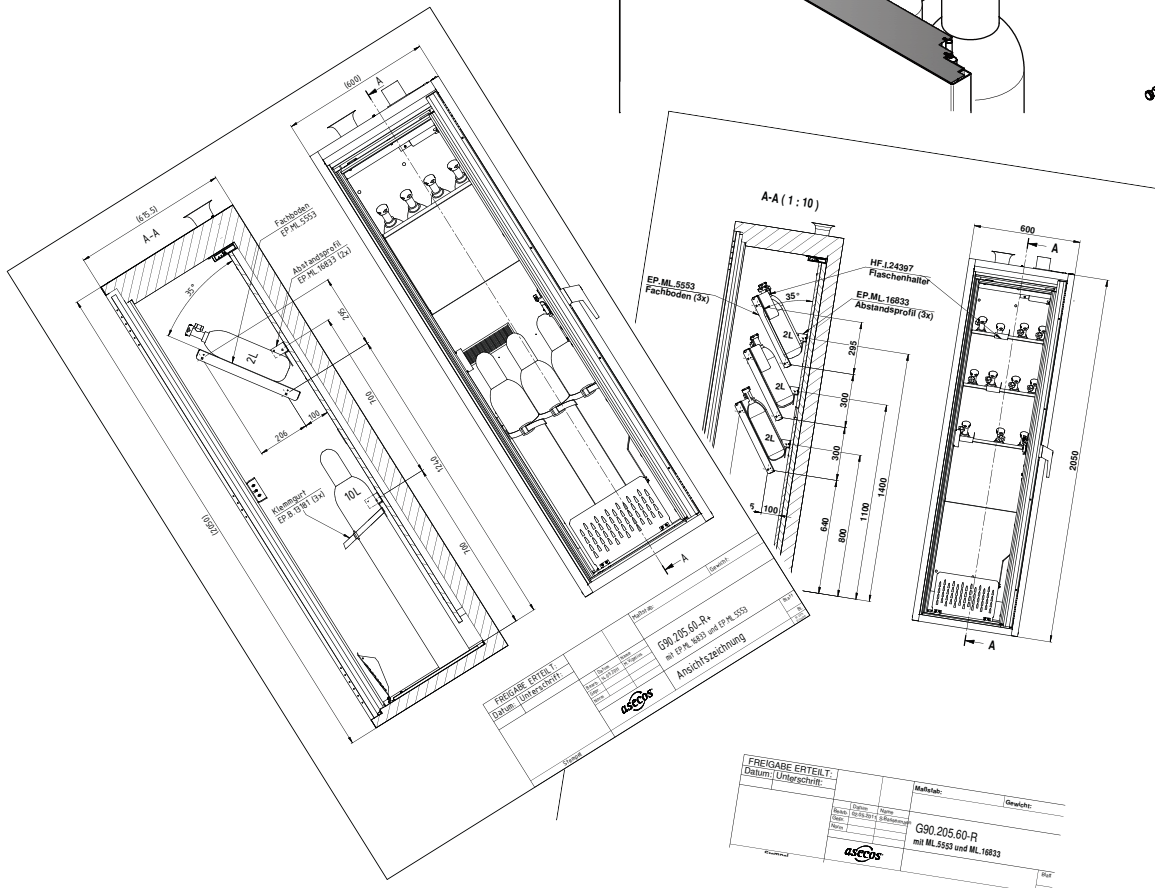
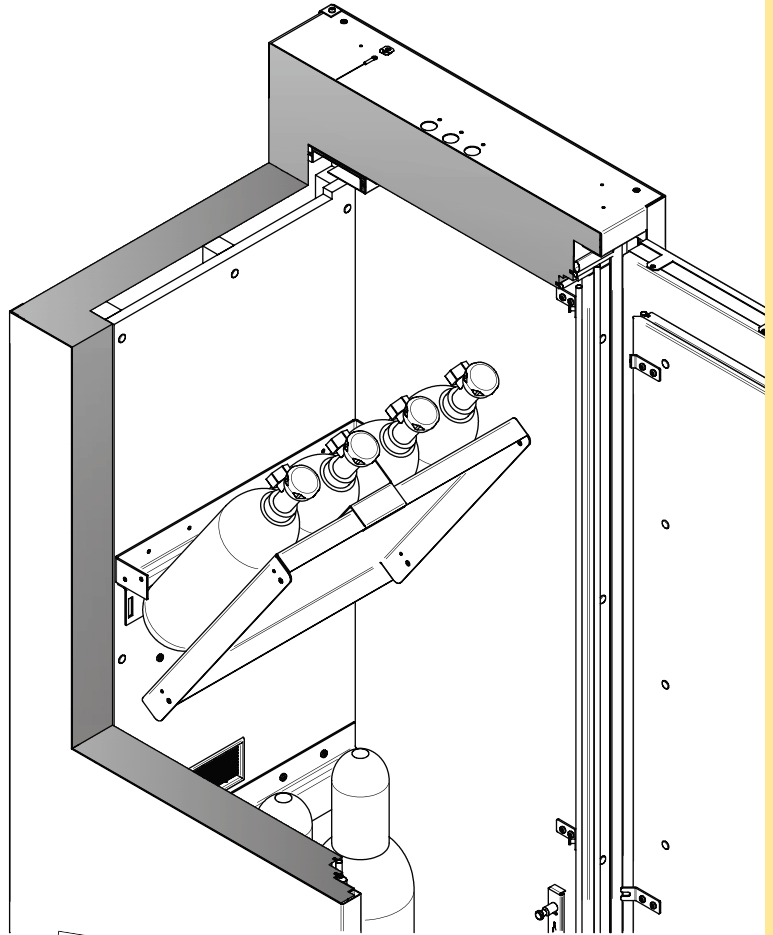
Special interior configurations

Apart from the standard or comfort interior equipment, many more individual interior configurations are possible upon request.

For accommodating small gas cylinders (e.g. 2- or 3-litres) the configuration can be tailored to the cylinder size on multiple storage levels. The storage levels can be installed at an angle depending on the length of the cylinders and the inner rear wall will be equipped with shock absorbers. Each cylinder is inserted from the front, resting on the respective storage level. Additional fixations are available to prevent the cylinders from slipping.

Additional means of mounting (e.g. suspended) can be realized for special cylinders such as medical Oxygen.

For any special configurations, please ask your local dealer or contact the asecos team directly. We will be pleased to assist you. Once your individual requirements are clear you will receive a detailed technical drawing to make sure you get precisely what you need.



G-LINE



WolfLabs

Pricing on any accessories shown can be found by keying the part number into the search box on our website.

The specifications listed in this brochure are subject to change by the manufacturer and therefore cannot be guaranteed to be correct. If there are aspects of the specification that must be guaranteed, please provide these to our sales team so that details can be confirmed.

www.wolflabs.co.uk

Tel : 01759 301142

Fax : 01759 301143

sales@wolflabs.co.uk

Please contact us if this literature doesn't answer all your questions.